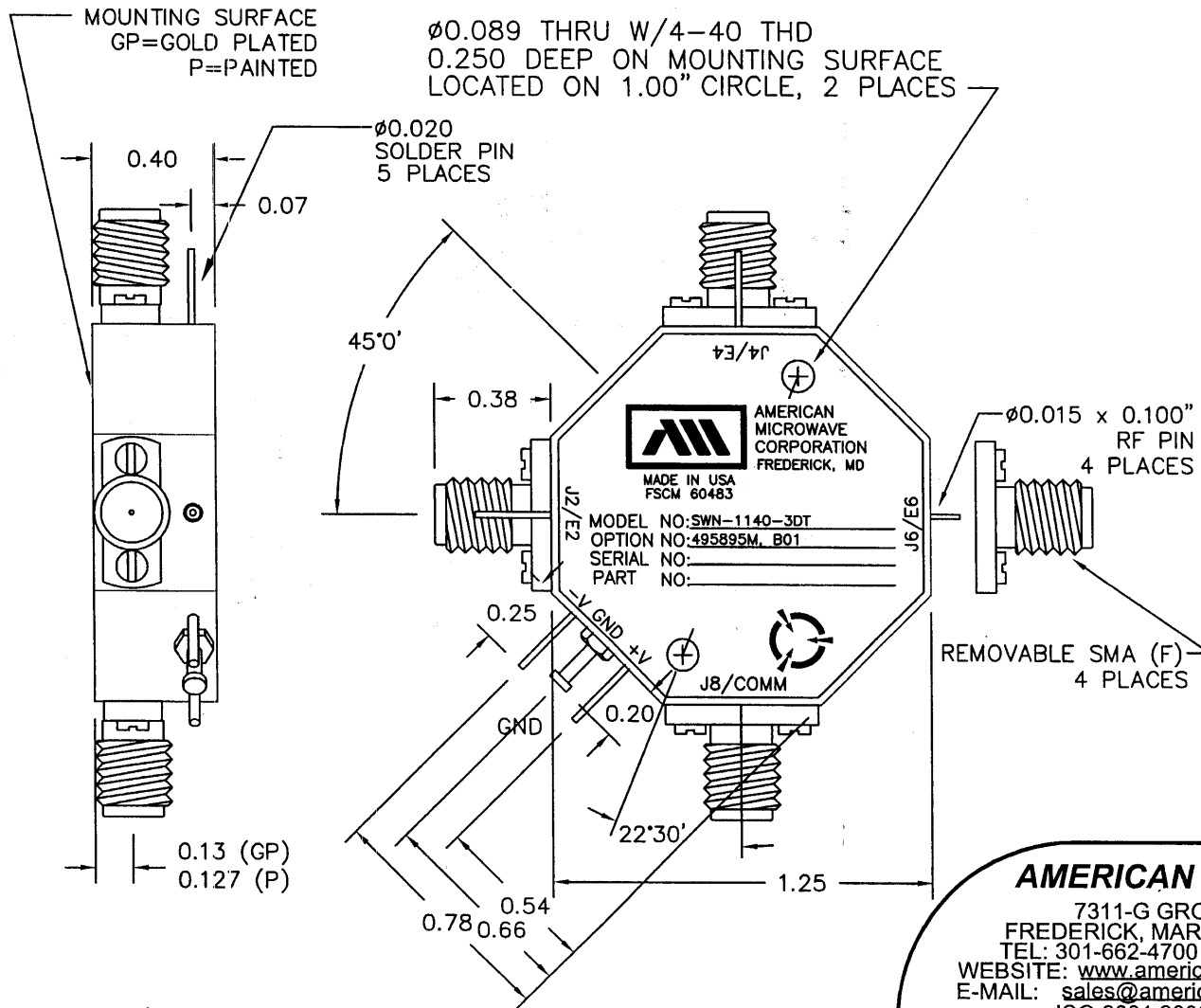


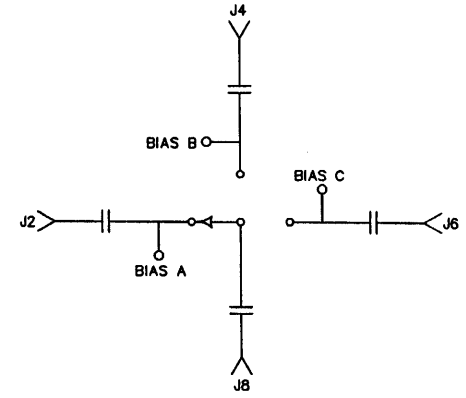
DESCRIPTION

AMC MODEL SWN-1140-3DT OPTION: 495895M, B01 IS A SINGLE POLE THREE THROW ABSORPTIVE/NON-REFLECTIVE SWITCH DESIGNED TO OPERATE BETWEEN THE 495 TO 895 MHz FREQUENCY RANGE WITH AN INSERTION LOSS OF 1.2dB MAXIMUM, AND AN ISOLATION OF 60dB MINIMUM

REVISIONS				
ZONE	REV.	DESCRIPTION	DATE	APPROVED
-	-	ORIGINAL RELEASE JOB# 411283X	12/14/04	



MECHANICAL OUTLINE



ALL DIMENSIONS ARE IN INCHES
TOLERANCES:
X.XX ±0.020
X.XXX ±0.010

AMERICAN MICROWAVE CORPORATION

7311-G GROVE ROAD
FREDERICK, MARYLAND 21704 USA
TEL: 301-662-4700 FAX: 301-662-4938
WEBSITE: www.americanmicrowavecorp.com
E-MAIL: sales@americanmicrowavecorp.com
ISO 9001:2000 CERTIFIED



APPROVALS		DATE	TITLE		
DRAWN <i>JKM</i>		12/14/04	MECHANICAL OUTLINE SWN-1140-3DT OPTION: 495895M, B01 495 TO 895 MHz, SP3T ABSORPTIVE SWITCH		
CHECKED <i>PH</i>	DATE 12/14/05	SIZE A	FSCM NO. 60483	DWG NO. 100-7234	REV. -
ISSUED		SCALE N:S	SHEET 2 OF 3		

DESCRIPTION

AMC MODEL SWN-1140-3DT OPTION: 495895M, B01 IS A SINGLE POLE THREE THROW ABSORPTIVE/NON-REFLECTIVE SWITCH DESIGNED TO OPERATE BETWEEN THE 495 TO 895 MHz FREQUENCY RANGE WITH AN INSERTION LOSS OF 1.2dB MAXIMUM, AND AN ISOLATION OF 60dB MINIMUM

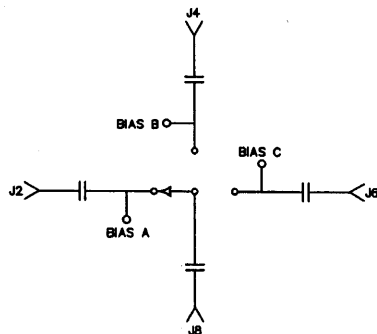
SPECIFICATIONS

- FREQUENCY RANGE: 495 TO 895 MHz
- INSERTION LOSS: 1.2 dB MAXIMUM
- ISOLATION: 60 dB MINIMUM
- VSWR
 - ON: 1.5:1 MAXIMUM
 - OFF 2.0:1 MAXIMUM
- RISE TIME: 1 uSec MAXIMUM
- FALL TIME: 1 uSec MAXIMUM
- POWER INPUT: 0.5W PEAK MAX, 0.2W AVERAGE MAX

- CONTROL: "0" ON, "1" OFF
- POWER SUPPLY: +5V @ 150 mA MAXIMUM
 -12V @ 100 mA MAXIMUM

OPTIONS

- 495895M: FREQUENCY RANGE 495 TO 895 MHz
- B01: -12V POWER SUPPLY



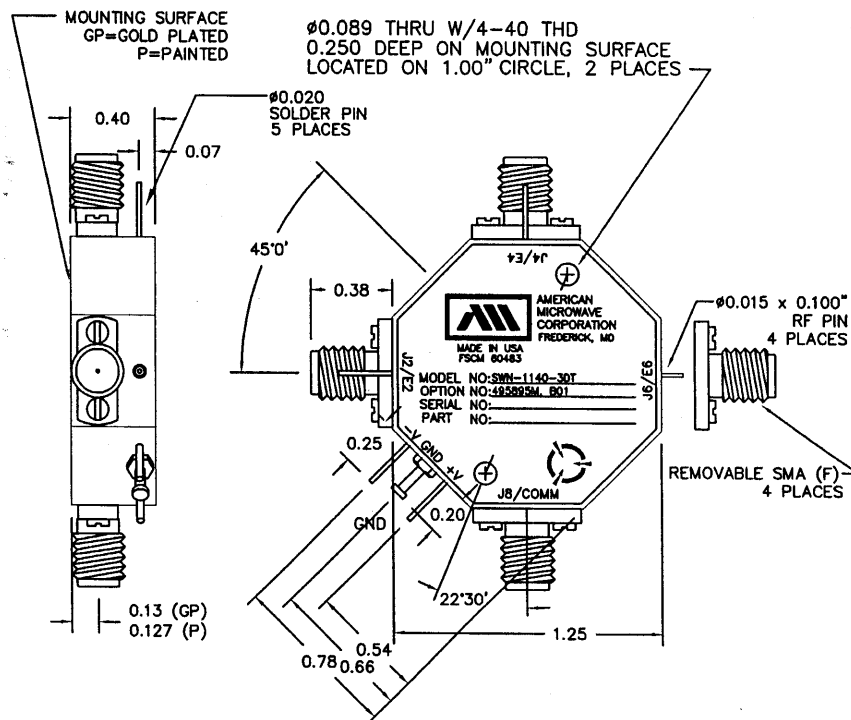
ENVIRONMENTAL RATINGS

- TEMPERATURE: -20°C TO +70°C (OPERATING)
 -55°C TO +95°C (STORAGE)
- HUMIDITY: MIL-STD--202F, METHOD 103B COND. B
- SHOCK: MIL-STD--202F, METHOD 213B COND. B
- VIBRATION: MIL-STD--202F, METHOD 204D COND. B
- ALTITUDE: MIL-STD--202F, METHOD 105C COND. B
- TEMPERATURE CYCLE: MIL-STD--202F, METHOD 107D COND. A

NOTE: SPECIFICATIONS WILL VARY OVER OPERATING TEMPERATURE
 NOTE: THE ABOVE SPECIFICATIONS ARE SUBJECT TO CHANGE OR REVISION

ALL DIMENSIONS ARE IN INCHES
 TOLERANCES:
 X.XX ±0.020
 X.XXX ±0.010

REVISIONS				
ZONE	REV.	DESCRIPTION	DATE	APPROVED
-	-	ORIGINAL RELEASE JOB# 411283X	12/14/04	



AMERICAN MICROWAVE CORPORATION

7311-G GROVE ROAD
 FREDERICK, MARYLAND 21704 USA
 TEL: 301-662-4700 FAX: 301-662-4938
 WEBSITE: www.americanmicrowavecorp.com
 E-MAIL: sales@americanmicrowavecorp.com
 ISO 9001:2000 CERTIFIED



APPROVALS		DATE	TITLE			REV.
DRAWN <i>JRCM</i>		12/14/04	PRODUCT FEATURE SWN-1140-3DT OPTION: 495895M, B01 495 TO 895 MHz, SP3T ABSORPTIVE SWITCH			
CHECKED <i>PK</i>		1/14/05	SIZE	FSCM NO.	DWG NO.	
ISSUED			A	60483	100-7234	-
			SCALE	N:S	SHEET	1 OF 3